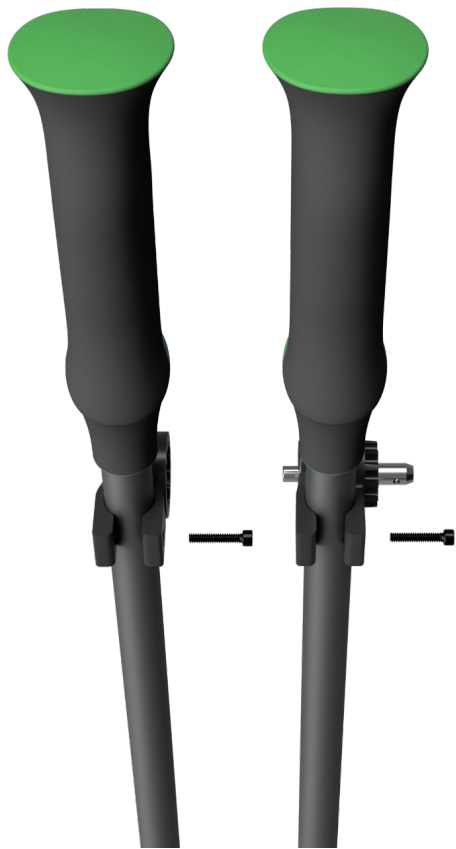
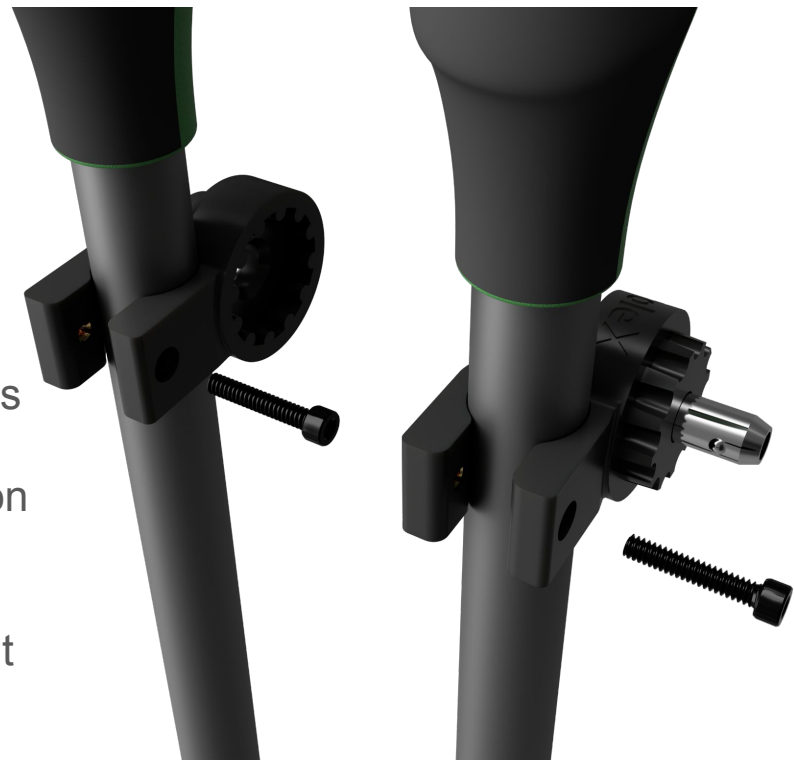


Installation :



1. Position poles facing forward.
2. Press both PoleX components onto poles as shown.
3. Adjust to desired height on upper pole segment, yet below handles.
4. Install fasteners from right side into brass insert.
5. **Do not over-tighten fasteners.**



PoleX
www.polexgear.com